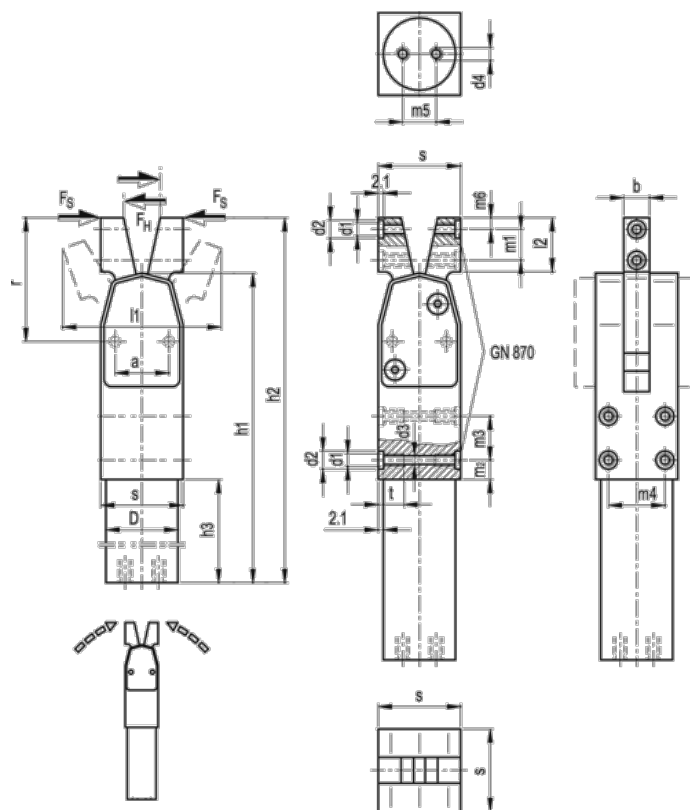


Article number: 201002030

Description: E+G Power clamp
GN 866-32-BC

Measures



a	= 31	h1 -0.5	= 206	t _{m3} +/-0.01= 15	=
b -0.2	= 12	h2 -0.5	= 237	Weight (g)	= 1500
Clamping force at 6 bar (approx.)	= 1110	h3	= 91	m5	=
d1	= M6	Holding force FH (N)	= 1520	m6	=
d2 H8	= 9	l1	= 83	Max clamping moment (Nm)	=
d3	= 5.0	l2	= 31	Piston diameter	=
d4	= G 1/8	m1 +/-0.01	= 18	r	=
d h8	= 40	m2	= 10.0	s	=